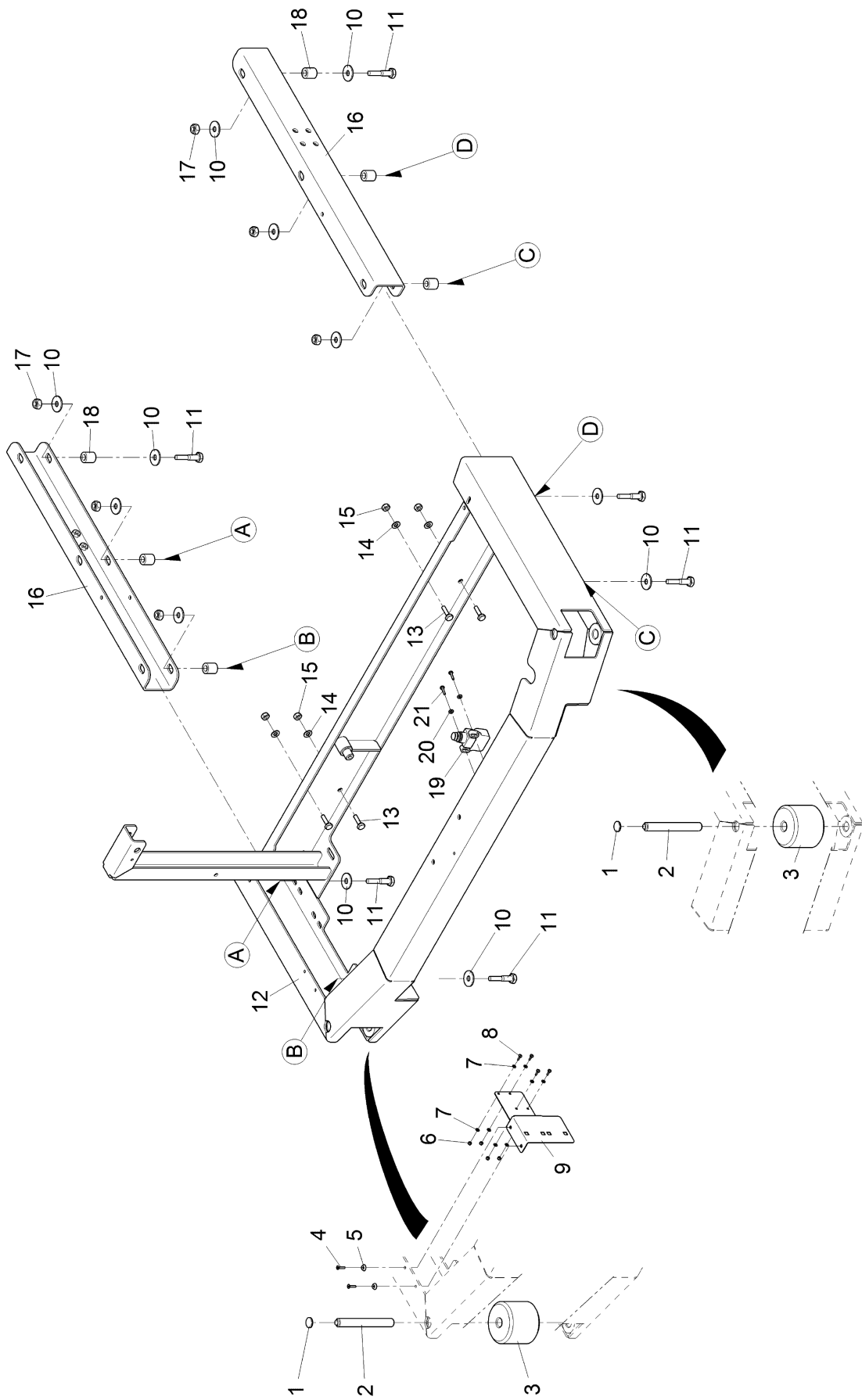


Base frame (97123376)



Pos.	Part No.	Material number	Description	Qty.	Unit	Remarks
1	00862520	12651121	Thrust washer	2	PC	
2	01274710	90619644	Bolt	2	PC	
3	00975150	90309576	Roller	2	PC	
4	00051890	11206075	Countersunk screw	2	PC	
5	01274720	12349031	Annular plate	2	PC	
6	00022200	12040101	Hex. Nut	4	PC	
7	00553740	12310132	Washer	8	PC	
8	00535780	11175106	Fillister-head screw	4	PC	
9	00976420	96069133	Angle	1	PC	
10	00046520	12332037	Washer	12	PC	
11	00133450	11032356	Hex.bolt	6	PC	
12	01277280	96140876	Frame	1	PC	
13	00053100	11038247	Hexagon screw	4	PC	
14	00053750	12310041	Washer	8	PC	
15	00051510	12040051	Hex. Nut	4	PC	
16	00981010	96136411	Longitudinal support	2	PC	
17	00051500	12040069	Hex. Nut	6	PC	
18	00102330	90311200	Spacer piece	6	PC	
19	00927610	90285768	Switch	1	PC	
20	00053710	12310017	Washer	2	PC	
21	00523520	11039401	Hex.bolt	2	PC	